



Pressure, Level & Temperature Transmitters & Transducers

2770 Long Road, Grand Island, NY 14072 USA

Tel. (716) 773-9300 • Fax (716) 773-5019

sales@gp50.com • www.gp50.com

HIGH PRESSURE HIGH TEMPERATURE (HPHT)

WECO® UNION PRESSURE TRANSMITTER

Models 170, 270, 370 "QX"

Designed specifically for use with either WECO® 2" 1502, 2202, 2002 or 602 Wing Union Fittings for high pressure & high temperature (HPHT) well applications.



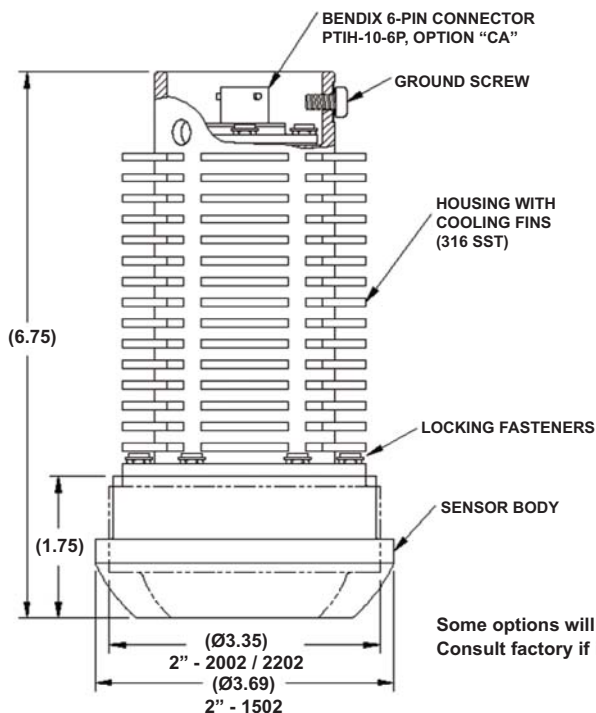
FEATURES:

- Designed for High Pressure High Temperature well applications
- Rated to +350° F (177° C) Process Temp.
- Pressure ranges from 0-5000 thru 0-20,000 psi
- Wetted materials meet NACE MR0-175 Guidelines
- 2" 1502, 2202, 2002 & 602 configurations avail.
- FM, CSA, ATEX and IEC IS approval options
- Optional electrical connections available

Approvals



PIN:	170/270	370
A/1	+EXC.	+EXC./SIGNAL
B/2	-EXC.	-EXC./SIGNAL
C/3	+SIGNAL	NC
D/4	-SIGNAL	CASE GROUND
E/5	+SHUNT/CAL	+SHUNT/CAL
F/6	-SHUNT/CAL	-SHUNT/CAL



Some options will affect dimensions. Consult factory if important.

Accuracy:

- Static Error (Includes Hysteresis, Non-linearity, Non-Repeatability)
- ≤0.25% FSO (RSS)

Zero Balance & FSO:

- (Model 170) - 0.0 mV/V ±1% FSO at 10 VDC
- (Model 270) - 0.0 V ±1% FSO at 24 VDC
- (Model 370) - 4.0 mA ±1% FSO at 24 VDC

Full Scale Output:

- (Model 170) - 3 mV/V
- (Model 270) - 5 VDC
- (Model 370) - 16mA

Temperature Limits:

- Process Compensated Range: -40° F to 350°F (-40° C to 177° C)
- Process Operating Range: -50° F to 360°F (-45° C to 182° C)
- Ambient Operating Range: -50° F to 120°F (-45° C to 49° C)
- Ambient Storage Range: -60° F to 190°F (-51° C to 87° C)

Electricals:

- Excitation Voltage:
 - (Model 170) - 15 VDC max
 - (Model 270) - 9-36 VDC
 - (Model 370) - 9-36 VDC (10-28 VDC for GI/AI/I approvals)
- Input Current:
 - (Model 170) - 45 mA
 - (Model 270) - 8 mA
 - (Model 370) - 23 mA max.
- Output Current:
 - (Model 270) - 10 mA
 - (Model 370) - 23 mA max.
- Load Impedance:
 - (Model 170) - >10K ohms
 - (Model 270) - >5K ohms
- Shunt Calibration:
 - (Model 270 & 370) - 100% FSO
- Zero Balance / Span: Less than ±1.0% FSO/100°F

Mechanicals:

- Proof Pressure: 1.5 X Pressure Range
- Burst Pressure: 3.0 X Pressure Range

Materials of Construction:

- Sensor: See options below
- Housing: 300 Series SST

Connections:

- Pressure: WECO® 2" 1502 or WECO® 2" 2002/2202
- Electrical: Bendix PTØ2E-10-6P (SST) Options available

Identification:

Etched on Housing

A5SL-70QX.00



Pressure, Level & Temperature Transmitters & Transducers

2770 Long Road, Grand Island, NY 14072 USA

Tel. (716) 773-9300 • Fax (716) 773-5019

sales@gp50.com • www.gp50.com

HIGH PRESSURE HIGH TEMPERATURE (HPHT) WECO® UNION PRESSURE TRANSMITTER Models 170, 270, 370 “QX”

Typical configurations (consult factory for more options)

MODELS

170	3 mV/V
270	0 - 5 Vdc
370	4 - 20 mA

APPROVALS - 370 Series Only

I	FM/CSA Intrinsic Safety - 370
AI	ATEX/IEC Intrinsic Safety - 370
AN	ATEX Zone 2
GI	ATEX/IEC/FM/CSA Intrinsic Safety - 370
EC	CE Marking - 370
N	FM/CSA Div/Zone 2

PROCESS CONNECTION

A	WECO® 2" 1502 Inconel X750
B	WECO® 2" 2002 Inconel X750 **
C	* WECO® 2" 2202, Inconel 718 **
D	* 2" 1502, Inconel 718
G	* 2" 1502 SST
H	* WECO® 2" 2202/2002 SST **

* Material meets NACE MR0175 Guidelines

** Non-Detachable Design

PRESSURE RANGE

SZ	Non-standard range, if applicable
RV	5,000 psi
RW	6,000 psi
RX	7,500 psi
RZ	10,000 psi
SB	15,000 psi
SD	20,000 psi

ELECTRICAL CONNECTIONS

CA	Bendix 6-pin PTØ2E-10-6P (SST) (Standard)
CF	1/2" NPT(M) with 18" 18 AWG MTW cable
DK	Glenair 4-pin GC379-2-14S-2P
DO	Jupiter RECM 10TPN04-16
DM	MS3102E 14S-2P
DP	4-Pin Brad Harrison (IR4ØØ6A2ØA12Ø1)

OPTIONS

GB	Alternate electrical output
GC	Special calibration run
GG	Alternate shunt calibration signal, designate value on sales order
ME	80% Shunt Calibration
MR	Alternate wiring
NB	100% Powered Shunt (std on 370)
NG	Removable carrying handle
NH	Dual welded handle
NC	100% Unpowered Shunt Calibration (std on 170/270)
QX	Extended 350° F process temperature (-45°F to 185°F electronics)
QY	Remove shunt cal.

Consult factory for other options, such as carrying handle, optional materials, electrical connectors and replacement fasteners.

Consult WECO® manufacturer for published pressure maximums. WECO® is a Federally Registered Trademark with FMC Technologies.

NOTE:

Specifications reflect standard product, improved performance / mechanical options available.

Modifications may alter specs, consult factory for more information.