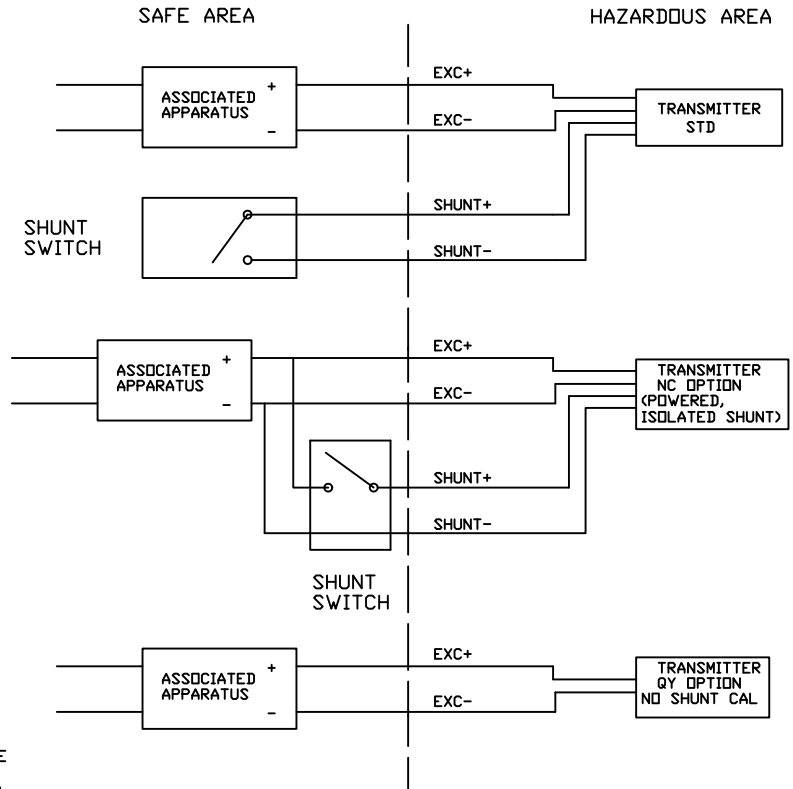


THIRD PARTY AGENCY APPROVAL CODE: I-S



CLASS I, DIV. 1, GRP. A,B,C,D
 CLASS I ZONE 0 GRP IIC
 FOR UNITS WITH 1/2"NPT(M)
 ELECTRICAL CONNECTION
 (CF OPTION)
 CLASS I, DIV. 1, GRP A,B,C,D
 CLASS II, DIV. 1, GRP E,F,G
 CLASS III
 CLASS I ZONE 0 GRP IIC

ENTITY PARAMETERS
 V_{max} or $U_i=28V$
 I_{max} or $I_i=100mA$
 $C_i=27.2nF$
 $L_i=0$
 Temp. code, T5 at $T_a=85C$

1. INSTALLATION MUST BE IN ACCORDANCE WITH THE CANADIAN ELECTRICAL CODE, PART I. OR THE NATIONAL ELECTRICAL CODE, AS APPLICABLE FOR COUNTRY IN USE.
2. ASSOCIATED APPARATUS USED FOR THE EXC+/EXC- CIRCUIT MUST HAVE A LINEAR OUTPUT AND BE CSA CERTIFIED OR FM APPROVED, AS APPLICABLE FOR COUNTRY IN USE, WITH ENTITY PARAMETERS THAT MEET THE FOLLOWING CONDITIONS:
 V_{oc} , or $U_o \leq V_{max}$, or U_i
 I_{sc} , or $I_o \leq I_{max}$, or I_i
 C_a , or $C_o \leq C_i + C_{cable}$
 L_a , or $L_o \leq L_i + L_{cable}$
3. SHUNT SWITCH WIRING IS INTRINSICALLY SAFE AND IS FOR CONNECTION TO A VOLTAGE FREE CONTACT, OR CSA CERTIFIED OR FM APPROVED, AS APPLICABLE FOR COUNTRY IN USE, RELAY CONTACT BARRIER WITH A VOLTAGE FREE CONTACT.

THIS IS A CONTROLLED DRAWING AND MAY NOT BE CHANGED WITHOUT ENGINEERING AUTHORIZATION

UNLESS OTHERWISE SPECIFIED DIMENSIONS ARE IN INCHES	REVISIONS				GP:50 Aerospace Div. 2770 LONG ROAD CAGE CODE: ON8Y7 GRAND ISLAND, NY 14072 TEL. NO. (716)773-9300 FAX NO. (716)773-5019	
	LET	DATE	BY	ECN	SCALE DRAWN: NA SCALE: NA	MATERIAL NA
FRACTIONS $\pm 1/64$ DECIMALS: TOLERANCES: .XX $\pm .01$.XXX $\pm .005$ ANGLES $\pm 1/2$					DESIGNER DW	APPROVED /s/ 7/6/07
63 MACHINE FINISH (ALL SURFACES) REMOVE BURRS & BREAK SHARP EDGES .015 MAX. MACHINE FILLETS TO .015 R MAX. ALL DIAMETERS TO BE CONCENTRIC WITHIN .010 T.I.R. CHAMFER ALL MALE THREADS 45°±5' TO MINOR DIAMETER C'SINK ALL FEMALE THREADS 90°±10' TO MAJOR DIAMETER					TITLE: FM/CSA INTRINSIC SAFETY MODELS 370 I/GI	DRAWING NO. 8C1-56.00-2
					REVIEW DATE	REVIEW DATE
					DATE DW 03/12/07	DATE /s/ 7/6/07
					REV.	