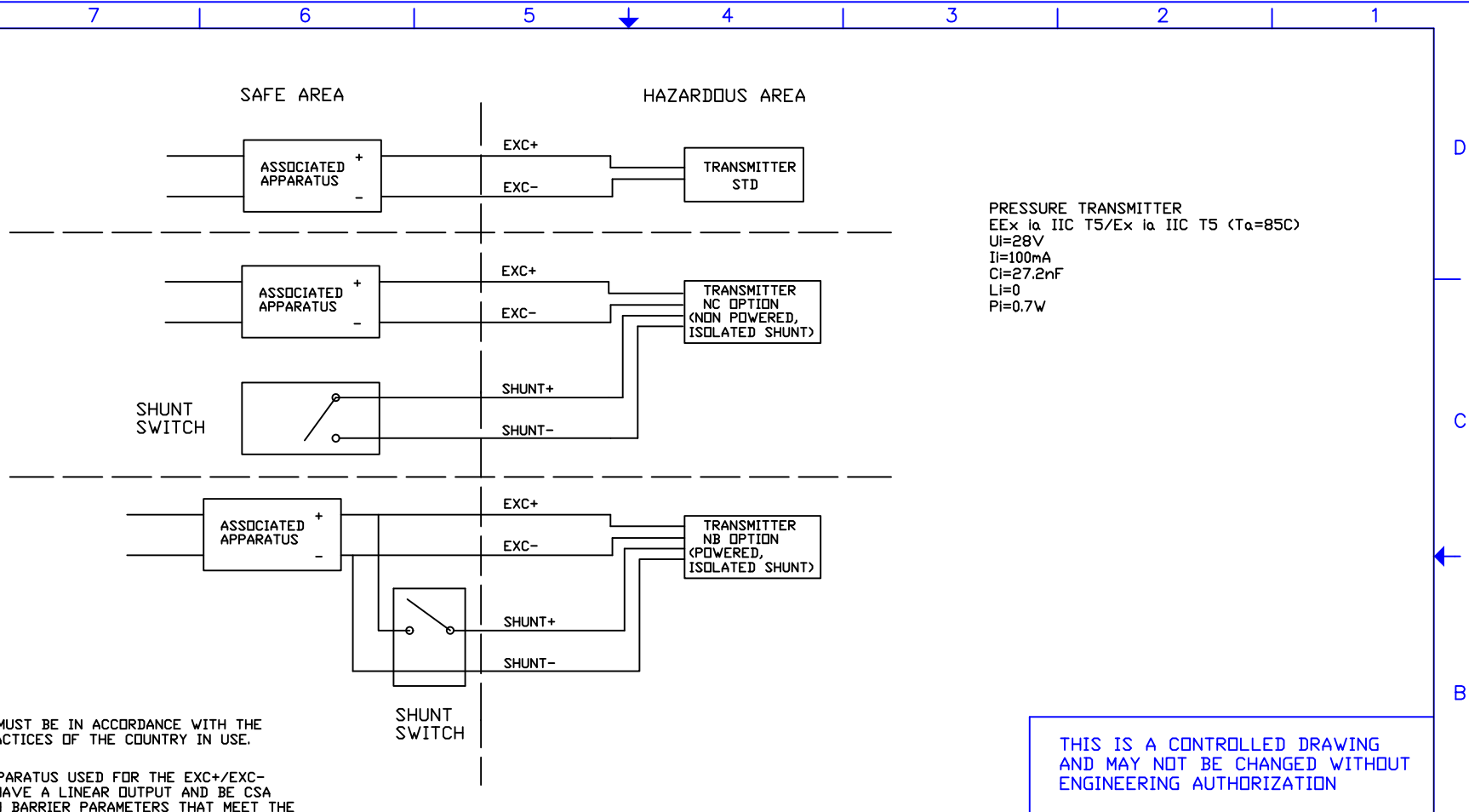


THIRD PARTY AGENCY APPROVAL CODE: AI-S



PRESSURE TRANSMITTER  
 EEx Ia IIC T5/Ex Ia IIC T5 (Ta=85C)  
 Ui=28V  
 Ii=100mA  
 Ci=27.2nF  
 Li=0  
 Pi=0.7W

1. INSTALLATION MUST BE IN ACCORDANCE WITH THE CODES AND PRACTICES OF THE COUNTRY IN USE.
2. ASSOCIATED APPARATUS USED FOR THE EXC+/EXC- CIRCUIT MUST HAVE A LINEAR OUTPUT AND BE CSA CERTIFIED WITH BARRIER PARAMETERS THAT MEET THE FOLLOWING CONDITIONS:

$U_o \leq U_i$   
 $I_o \leq I_i$   
 $C_o \leq C_i + C_{cable}$   
 $L_o \leq L_i + L_{cable}$

3. SHUNT SWITCH WIRING IS INTRINSICALLY SAFE AND IS FOR CONNECTION TO A VOLTAGE FREE CONTACT, OR CERTIFIED RELAY CONTACT BARRIER WITH A VOLTAGE FREE CONTACT.

THIS IS A CONTROLLED DRAWING AND MAY NOT BE CHANGED WITHOUT ENGINEERING AUTHORIZATION

UNLESS OTHERWISE SPECIFIED DIMENSIONS ARE IN INCHES	REVISIONS				GP:50 Aerospace Div. 2770 LONG ROAD CAGE CODE: ON8Y7 GRAND ISLAND, NY 14072	
	LET	DATE	BY	ECN	TEL. NO. (716)773-9300 FAX NO. (716)773-5019	
FRACTIONS $\pm 1/64$ DECIMALS: TOLERANCES: .XX $\pm .01$ .XXX $\pm .005$ ANGLES $\pm 1/2$					SCALE DRAWN: NA SCALE: NA	MATERIAL NA
63 $\sqrt$ MACHINE FINISH (ALL SURFACES) REMOVE BURRS & BREAK SHARP EDGES .015 MAX. MACHINE FILLETS TO .015 R MAX. ALL DIAMETERS TO BE CONCENTRIC WITHIN .010 T.I.R. CHAMFER ALL MALE THREADS 45 $\pm$ 5' TO MINOR DIAMETER C'SINK ALL FEMALE THREADS 90 $\pm$ 10' TO MAJOR DIAMETER					DESIGNER DW	REVIEW DATE
					APPROVED /s/ 7/5/07	DATE DW 03/12/07
					TITLE: ATEX/IEC INTRINSIC SAFETY MODELS 311 AI/GI	
					DRAWING NO. 8C1-55.01-2	
					REV.	