



FLIGHT QUALIFIED DIGITALLY CORRECTED DIFFERENTIAL PRESSURE TRANSDUCER

Model 8300

Designed for the tough challenges and environmental rigors of space propulsion and aviation pressure testing.

- High Accuracy, Rugged Field Test Applications and Vehicles
- Space Qualified Flight Hardware Requirements
- Satellites
- Launch Vehicles

FEATURES:

- High accuracy, 0.08% RSS standard (0.05% RSS available)
- Extremely lightweight, <8 oz.
- Mechanical isolation tube eliminates zero shift
- Cavity material options for special environments
- Zero shift with line pressure <1%
- 0-5 Vdc Isolated or 0-10 Vdc Isolated digitally corrected output
- Non-oil filled
- Serial port (RS-232) controlled zero & span adjustment



Heritage Includes

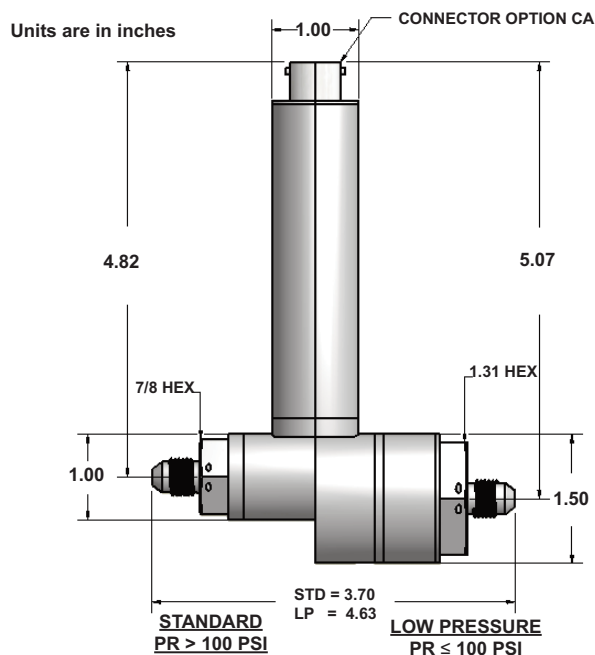
- NASA
- Lockheed Martin

All GP:50 Aerospace differential transducers are manufactured and tested to the following MIL-STD and MIL-Spec standards to insure the highest quality assurance:

- NIST Traceability and Calibration..... MIL-STD-45662A
- Workmanship J-001 / NASA 8739.3 standards
- Quality System ISO 9001:2000

Transducer Design Meets: MIL-STD-810F All Methods
MIL-STD-461E

SEE INSTALLATION MANUAL FOR PINOUT ASSIGNMENT BASED ON ELECTRONICS OPTIONS



WIRING CODE:

	PIN OUT FOR OPTIONS 4, 6
A	+ EXC.
B	+ SIG. OUT
C	- SIG. OUT
D	- EXC.
E	TX
F	RX

GP:50 reserves the right to make product improvements and amendments to the product specifications stated throughout this brochure without prior notification. Please contact the factory on all critical dimensions and specifications for verification.

A5SL-8300.00 Rev C

2770 Long Road, Grand Island, NY 14072 USA

Tel. (716) 773-9300 Fax (716) 773-5019 E-mail:sales@gp50.com website:www.gp50.com



Pressure, Level & Temperature Transmitters & Transducers

Specifications reflect standard product, improved performance/mechanical options available. Modifications may alter specs, consult factory for more information.

Ranges	15 thru 1000 PSID / bi-directional or uni-directional
FS Output at Rated Pressure	0-5 Vdc Isolated or 0-10 Vdc Isolated Digitally corrected output
Differential Overload Pressure	1500 PSI may be applied to either port, 10,000 lb option
Zero Shift	<1% FSO with line pressure applied
Excitation or Input Voltage Reverse Polarity Protected	+18 thru +36 Vdc isolated
Non-Repeatability	<0.04% FSO
Non-Linearity	<0.05% FSO
Hysteresis	<0.05% FSO
Thermal Error	Zero <0.225% / 100F Span <0.225% / 100F
Static Accuracy RSS	<0.08% FSO RSS, 0.05% optional
Total Error	0.5% (All 5 parameters)
Wetted Materials	316SS (Inconel, Hastelloy optional)
Temperature Compensation	-10°F to +160°F standard, custom available
Operating/Environmental Temperature	-30°F to +170°F / -30°C to +255°C, -65°F to +250°F option
Weight	8 oz. (some options may affect weight)
Pressure Port	MS 33656-4 (M) standard
Electrical Connector	PTIH-10-6P
Response Time	500 ms (12 BIT Processor)
Meets MIL-STD-461 EMI/RFI	Some options will affect EMI/RFI rating

ORDERING GUIDE:

Some options will affect dimensions, consult factory if important.
Use the following codes to identify desired item.

MODEL	OUTPUT	RANGE	PRESSURE TYPE	OPTIONS
●	—	●	—	●

Example: 8300-4-RH-A-CA/FD/GH

OUTPUT

2	0-5 Vdc 4 wire hookup (Non-Isolated)
4	0-5 Vdc Isolated
5	0-10 Vdc 4 wire hookup (Non-Isolated)
6	0-10 Vdc Isolated
9	0-5 Vdc 3 wire hookup (Non-Isolated)
10	0-10 Vdc 3 wire hookup (Non-Isolated)

RANGE (PSI)

PP	0-15	RD	0-200
PR	0-20	RF	0-300
PO	0-25	RH	0-500
PT	0-30	RK	0-750
PV	0-50	RM	0-1,000
PZ	0-100		
RB	0-150		

Contact factory for non-standard pressure ranges.

PRESSURE TYPE

D Differential

OPTIONS CONNECTORS

CA	PTIH-10-6P Bendix
CI	D38999/27YB98PN
DB	D38999/27YA35PN

PORTS

FA	MS33649-4, 7/16-20 (F)
FD	MS33656-4, 7/16-20 (M)

MISC:

D	Improved Static Accuracy to 0.05%
GB	Alternate Full Scale Outputs
GD	10X Proof Pressure (may affect overall performance, not available with options D,GF,GK,GP)
GF	Expanded process temperature range, -65 to 250°F (±2% FSO/100°F)
GK	Inconel Pressure Cavity
GL	Cleaning for oxygen service
GP	Hastelloy Pressure Cavity
MS	Bi-Directional
MR	Non-Standard Wiring

2770 Long Road, Grand Island, NY 14072 USA

Tel. (716) 773-9300 Fax (716) 773-5019 E-mail:sales@gp50.com website:www.gp50.com