



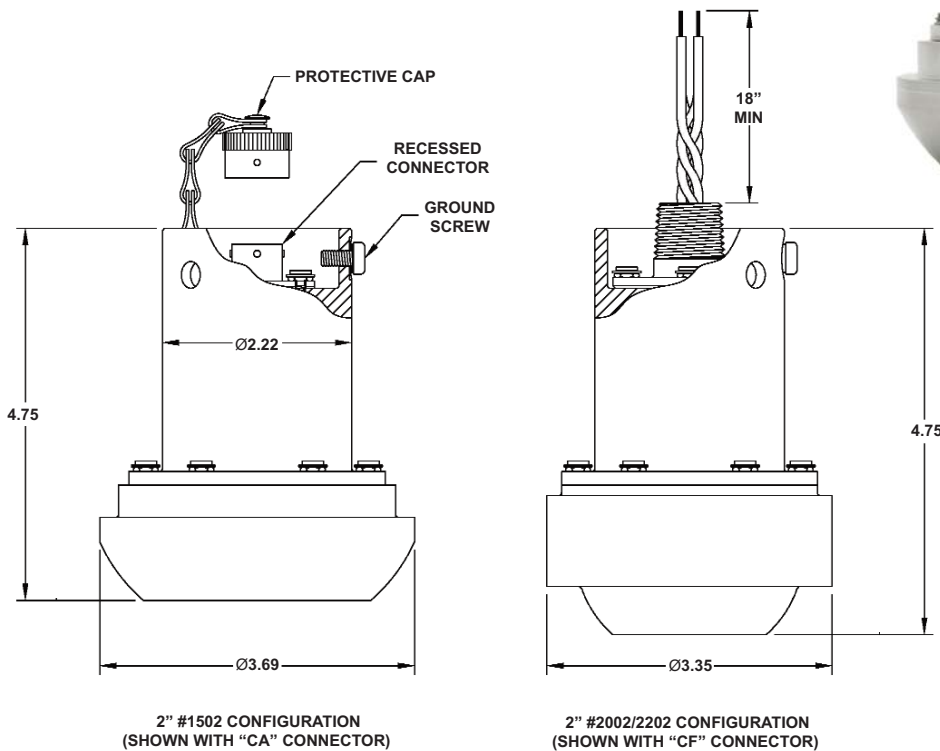
WECO® “HAMMER” UNION TEMPERATURE TRANSMITTER

Model 271, 371

Designed for use with either WECO® 2” 1502, 2” 2002 or 2” 2202 Wing Union Fittings.

FEATURES:

- Provides accurate temperature readings in WECO® style fitting
- Rated to 22,500 PSI
- Corrosion resistant materials meet NACE MRO175 Guidelines
- 0-5 VDC or 4-20 mA outputs
- High temp operation option to 250°F



2" #1502 CONFIGURATION
(SHOWN WITH "CA" CONNECTOR)

2" #2002/2202 CONFIGURATION
(SHOWN WITH "CF" CONNECTOR)

Some options will affect dimensions. Consult factory if important.

OIL AND GAS

WIRING CODE

PIN	271	371
A/1 (WIRE COLOR)	+ EXC. (RED)	+ EXC./SIGNAL (RED)
B/2 (WIRE COLOR)	+ SIGNAL (BLUE)	- EXC./SIGNAL (BLACK)
C/3 (WIRE COLOR)	- EXC./SIGNAL(BLACK)	NC
D/4	NC*	NC*
E/5	NC*	NC*
F/6	NC*	NC*

* - Optional Shunt Cal connections

GP:50 reserves the right to make product improvements and amendments to the product specifications stated throughout this brochure without prior notification. Please contact the factory on all critical dimensions and specifications for verification.

A5SL-71.00 Rev A



Pressure, Level & Temperature Transmitters & Transducers

Specifications reflect standard product, improved performance/mechanical options available. Modifications may alter specs, consult factory for more information.

Accuracy	(Static Error Band- Non-linearity, Hysterisis, Non-repeatability) ±0.75% FSO	
Zero Balance at 70°F	(Model 271) 0.0v ±0.5% FSO	(Model 371) 4.0mA ±0.5% FSO
Full Scale Output	(Model 271) 5Vdc ±0.5% FSO	(Model 371) 16mA ±0.5% FSO
Stability	±0.1% FSO/yr	
Min & Max Process Temperature Limits	-65°F to +250°F **	
Temperature ranges	See ordering guide	
Electricals	(Model 271)	(Model 371)
Output Current	0-5 VDC Output	4-20mA Output
Wiring	3 Wire (see pin out chart)	2 Wire Loop (see pin out chart)
Excitation	9-36 VDC	9-36 VDC
Insulation Resistance	>100m Ohms at 50 Vdc	>100m Ohms at 50 Vdc
Connector Style	See options codes	
Mechanical		
Process Connection	WECO® Union 2" 1502, 2202 or 2002**	
Max Operating Pressure	22,500 PSI	
Std Wetted Materials	Stainless Steel Meets- NACE MRO175 Guidelines or Inconel**	
Upper Housing	300 series Stainless Steel	
Weight	~5 lbs	

** -see order guide for options

ORDERING GUIDE:

Ordering: Specify model, and pressure range and indicate modifications or accessories required. Use the following codes to identify desired item.

MODEL	APPROVAL	PROCESS CONNECTION	RANGE	OPTIONS/ELECTRICAL CONNECTIONS
●	—	●	—	●/●/●

Example: 371-G-00-CA

MODEL SERIES

271 0-5 VDC

371 4-20mA

PROCESS CONNECTION

A 2" 1502 (Inconel Construction)

B 2" 2002 (Inconel)

C 2" 2202 (Inconel - Meets NACE Guidelines)

D 2" 1502 (Inconel - Meets NACE Guidelines)

G 2" 1502 (SST - Meets NACE Guidelines)

H 2" 2002 (SST - Meets NACE Guidelines)

CALIBRATED TEMPERATURE RANGE (Deg F)

00 - 0° to 250°

01 - -40° to 250°

(Consult factory for more ranges)

CONNECTOR TYPE

CA PTO2E-10-6P (Bendix 6 Pin Style)

CF 1/2" NPT(M) with 18" wire Leads 18 awg

DK GC379214S-2P (Glenair 4-Pin)

DM MS3102E-14S-2P (4-Pin)

DO RECM10TPN04-16 (Jupiter 4-Pin style)

DP 1R4006A20A1201 (Brad Harrison/Turck style)

OPTIONS (More options available – consult factory)

GB Alternate electrical output (e.g 1-5 VDC)

GC Special Calibration run

MR Alternate Pin out / wiring

NC Removable carrying handle

NH Welded dual carrying handle

Consult factory for more options, such as carrying handle, optional materials, electrical connectors and replacement fasteners

Consult WECO® manufacturer for published pressure maximums. WECO® is a Federally Registered Trademark with FMC Technologies

2770 Long Road, Grand Island, NY 14072 USA

Tel. (716) 773-9300 Fax (716) 773-5019 E-mail:sales@gp50.com website:www.gp50.com