



WECO® “HAMMER” UNION PRESSURE TRANSMITTER

Model 170, 270, 370, 570

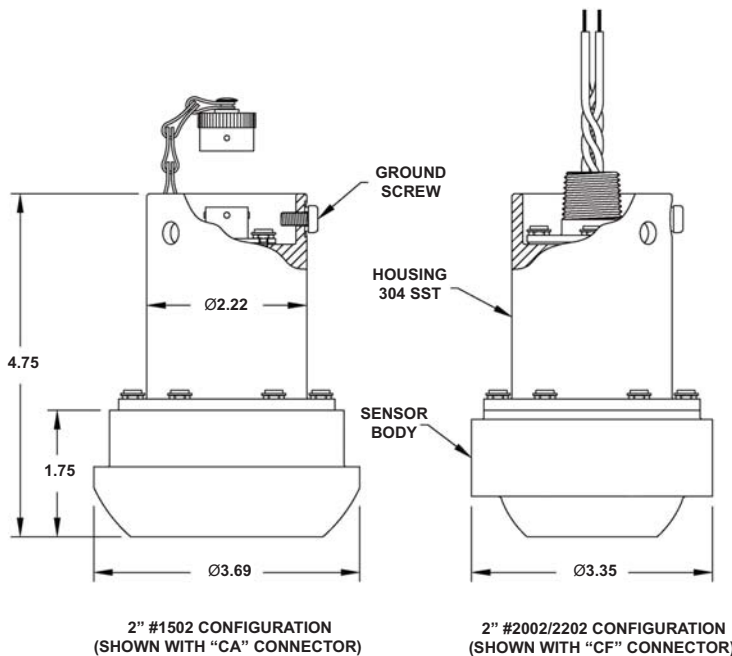
Designed specifically for use with either WECO® 2” 1502 or 2” 2002 Wing Union Fittings for the high pressure /vibration applications such as Cementing, Fracturing, Mud Pressure Measurement & Acidizing.

FEATURES:

- Designed to reduce “clamping effects” of Wing Union
- 0-5000 thru 0-20,000 psi
- Corrosion resistant materials
- High Accuracy
- 0-5 VDC, 4-20 mA, CANbus outputs
- Hazardous Locations Approvals
- 350°F version available
- 100% Shunt Cal



OIL AND GAS



Some options will affect dimensions. Consult factory if important.

WIRING CODE

PIN	170/270	370	570
A/1	+ EXC.	+ EXC./SIGNAL	+ EXC.
B/2	- EXC.	- EXC./SIGNAL	- EXC.
C/3	+ SIGNAL	NC	SIG/J1939
D/4	- SIGNAL	CASE GROUND	SIG/J1939
E/5	+ SHUNT/CAL	+ SHUNT/CAL	NC
F/6	- SHUNT/CAL	- SHUNT/CAL	NC

GP:50 reserves the right to make product improvements and amendments to the product specifications stated throughout this brochure without prior notification. Please contact the factory on all critical dimensions and specifications for verification.



Pressure, Level & Temperature Transmitters & Transducers

Specifications reflect standard product, improved performance/mechanical options available. Modifications may alter specs, consult factory for more information.

Accuracy	(Static Error Band- Non-linearity, Hysteresis, Non-repeatability) ≤0.25% FSO (RSS)			
Zero Balance	(Model 170) 0.0 mV/V ±1% FSO at 10 Vdc	(Model 270) 0.0 V ±1% FSO at	(Model 370) 4.0 mA ±1% FSO at 24 Vdc	(Model 570) CANbus J1939 at 12Vdc
Full Scale Output	(Model 170) 3 mV/V	(Model 270) 5 Vdc	(Model 370) 16mA	(Model 570) J1939
Temperature Limits	Compensated -40°F to 180°F (-40°C to 80°C) Operating -50°F to 190°F (-45°C to 85°C)			
Temperature Compensation	Zero Less than ±1.0% FSO/100°F Span Less than ±1.0% FSO/100°F			
Electricals	(Model 170)	(Model 270)	(Model 370)	(Model 570)
Excitation Voltage	16 Vdc max	9-36 Vdc	9-36 Vdc*	6-18 Vdc
Input Current	45 mA	8 mA	23 mA max	40 mA
Output Current	N/A	10 mA	23 mA max	N/A
Load Impedance	>10K ohms	> 5K ohms	N/A	N/A
Shunt Calibration	100% FSO ±0.2% by exciting Pins E and F			N/A
			*10-28 Vdc for GI/AI/I approvals	
Mechanicals	Proof Pressure 1.5 times pressure range Burst Pressure 3.0 times pressure range			
Materials of Construction	Sensor (See options below) Housing 300 Series SST			
Connections	Pressure WECO® 2" 1502 or WECO® 2" 2002/2202 Electrical Bendix PTØ2E-10-6P			
Identification	Etched on housing			

ORDERING GUIDE:

Ordering: Specify model, and pressure range and indicate modifications or accessories required. Use the following codes to identify desired item.

MODEL	APPROVAL	PROCESS CONNECTION	RANGE	OPTIONS/ELECTRICAL CONNECTIONS
●	—	●	—	●/●/●

Example: 370-A-R-Z-CA

MODEL

170 3 mV/V
 270 0 - 5 Vdc
 370 4 - 20 mA
 570 CANbus J1939

APPROVAL

I FM/CSA Intrinsic Safety - 370
 AI ATEX/IEC Intrinsic Safety - 370 (IEC pending)
 GI ATEX/IEC/FM/CSA Intrinsic Safety - 370 -(IEC pending)
 EC CE Marking - 370

PROCESS CONNECTION

A WECO® 2" 1502 Inconel X750
 B WECO® 2" 2002 Inconel X750
 C WECO® 2" 2202, Inconel 718 *
 D WECO® 2" 1502, Inconel 718 *
 G WECO® 2" 1502 SST *
 H WECO® 2" 2202/2002 SST *

* Material meets NACE MR0175 Guidelines

PRESSURE RANGE

SZ Non-standard range, if applicable
 RV 5,000 psi
 RW 6,000 psi
 RX 7,500 psi
 RZ 10,000 psi
 SB 15,000 psi
 SD 20,000 psi

ELECTRICAL CONNECTION

CA Bendix 6-pin PTØ2E-10-6P (SST)
 CF 1/2" NPT(M) with 18" 18 AWG MTW cable
 DK Glenair 4-pin GC379-2-14S-2P
 DO Jupiter RECM 10TPN04-16
 DM MS3102E 14S-2P
 DP 4-Pin Brad Harrison (IR4ØØ6A2ØA12Ø1)

OPTIONS

GB Alternate electrical output
 GC Special calibration run
 GE Improved temperature comp. (± 0.5% FSO/100° F for zero/span)
 GG Alternate shunt calibration signal, designate value on sales order
 ME 80% Shunt Calibration
 MR Alternate wiring
 NB 100% Powered Shunt (std on 370)
 NG Removable carrying handle
 NH Dual welded handle
 NC 100% Unpowered Shunt Calibration (std on 170/270)
 QX Extended 350° F process temperature (-45°F to 185°F electronics)
 QY Remove shunt cal.

Consult factory for more options, such as carrying handle, optional materials, electrical connectors and replacement fasteners

Consult WECO® manufacturer for published pressure maximums. WECO® is a Federally Registered Trademark with FMC Technologies

2770 Long Road, Grand Island, NY 14072 USA

Tel. (716) 773-9300 Fax (716) 773-5019 E-mail:sales@gp50.com website:www.gp50.com