



**MELT PRESSURE
TRANSDUCERS & TRANSMITTERS**
300 Industrial Drive, Grand Island, NY 14072 USA
Tel. (716)775-8830 • Fax (716)775-8020 • sales@gp50.com • www.gp50.com

Product Specification Sheet

FLANGE MOUNTED LOW PRESSURE/TRANSMITTER

FOR HAZARDOUS ENVIRONMENTS

Models 330X, 331X w/ FX, FY option

Models 430X, 431X w/ FX, FY option



***REFER TO APPENDIX A
FOR WIRING CODES***

FEATURES:

- All-welded stainless steel construction
- State-of-the-art circuitry allows heavier diaphragm and increased fatigue life
- Standard options for every requirement
- FM Explosion Proof Approved (Class I, Division I, Class A, B, C, D)
- HART Communication available (430X, 431X)

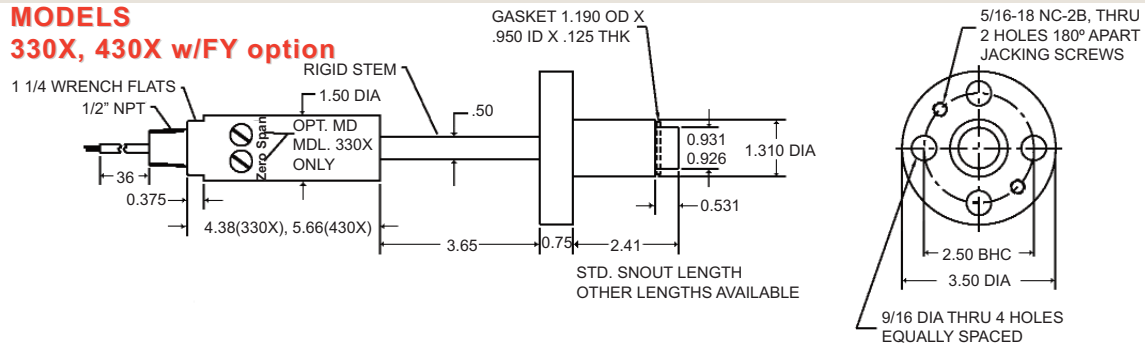
PRESSURE RANGES:

- From 0-25 through 0-10,000 psig (See ordering guide)

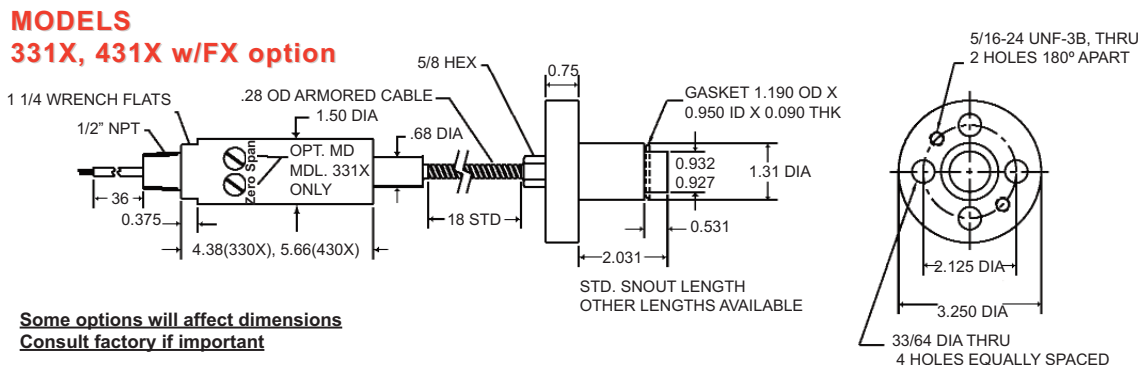
ACCURACY:

- 0.5% FSO standard, 0.25% FSO available
- 0.15% FSO available on Models 430X, 431X

MODELS 330X, 430X w/FY option



MODELS 331X, 431X w/FX option



**Some options will affect dimensions
Consult factory if important**

GP:50 reserves the right to make product improvements and amendments to the product specifications stated throughout this brochure without prior notification. Please contact the factory on all critical dimensions and specifications for verification.



MELT PRESSURE TRANSDUCERS & TRANSMITTERS

300 Industrial Drive, Grand Island, NY 14072 USA
Tel. (716)775-8830 • Fax (716)775-8020 • sales@gp50.com • www.gp50.com

Specifications reflect standard product, improved performance/mechanical options available. Modifications may alter specs, consult factory for more information.

Accuracy	Static Error Band (Non-linearity, Hysteresis, Non-repeatability, also includes Temperature effects for models 430X, 431X) ± 0.5% FSO (RSS) (330X, 331X), ± 0.5% FSO (RSS) ranges less than 500 psi (430X, 431X), ± 0.2% FSO (RSS) 500 through 3500 psi (430X, 431X), ± 0.15% FSO (RSS) 5000 through 30000 psi (430X, 431X)	
Ranging (430X, 431X only)	3:1 25 through 2500 psi 5:1 3000 through 30000 psi	
Material in Contact with Pressure Media	316 stainless steel / 15-5 PH diaphragm, Armoloy coated (hard chrome) Diamond, Boron or Titanium Nitride coatings optional	
Proof Pressure	2 times full scale pressure range	
Temperature Limits	Diaphragm 600°F (315°C) Standard Fill Strain Gauge Housing 176°F (80°C)	
Temperature Effects	From Fill (330X, 331X) Zero 2 psi/100°F at diaphragm From Strain Gauge Housing (330X, 331X) Zero / Span Less than ± 1.0% FSO/100°F (± 2.0% FSO/100°C) Fill & Housing (430X, 431X) Included in accuracy	
Orientation Shift on Zero	Unit length x2 inHg, Option MD zero and span controls strongly recommended on 330X, 331X	
Electricals	Excitation Voltage	Output at 70° F
(Model 330X/331X)	9-36 Vdc	4-20 mA ±2% FSO
(Model 430X/431X)	12-36 Vdc	4-20 mA ± 2% FSO
Zero Balance	(Model 330X/331X) 4.0 mA ±5% FSO at 70°F vertical tip down	(Model 430X/431X) 4.0 mA ±0.2% FSO at 70°F vertical tip down
Load Impedance	(Model 330X,331X) 1350 ohms max. at 36 Vdc & 750 ohms at 24 Vdc	(Model 430X/431X) 1200 ohms maximum, at 36 Vdc and 600 ohms at 24 Vdc
Connections	Pressure 3.5" OD Flange, 3.25" OD Flange (see ordering guide) Electrical 1/2" NPT (M) with 72" leads	
Enclosed Materials	316 stainless steel	
Mounting Torque	110 inch pounds, maximum	
Identification	Etched stainless steel nameplate welded to body.	

ORDERING GUIDE

Use the following codes to identify desired item.

MODEL	RANGE	OPTIONS
•	+	• • •

Example: 331X-PO-FY

MODEL		RANGE	
330X, 331X	4-20 mA		
430X, 431X	4-20 mA / Hart		
PRESSURE RANGE (PSI)		(BAR)	
PO 25	RJ 600	UL 2	UY 100
PT 30	RK 750	UM 3	UZ 150
PV 50	RM 1000	UN 5	VA 200
PX 75	RO 1500	UP 7.5	VB 300
PZ 100	RR 2000	UQ 10	VC 350
RB 150	RS 2500	UR 15	VD 500
RD 200	RT 3000	US 20	VE 700
RE 250	RV 5000	UT 30	VF 750
RF 300	RX 7500	UV 50	UA 1000
RH 500	RZ 10000	UX 75	SZ Non-Stand. Pressure Range or Engineering Units

OPTIONS

FX	3.25" Flange (2.03 Standard Snout Length)
FY	3.50" Flange (2.41 Standard Snout Length)
CF	1/2" NPT(M) thread with 72" leads for conduit connection
GB	Alternate Electronic Output - specify zero and span output values
MD	Zero and Span Controls, 330X, 331X only. (Span adjustment ± 20% FSO, Zero adjustment +10% - 80% FSO for ranges below 500 psi, Zero adjustment ± 20% FSO for ranges 500 psi and up)
GP	Hastelloy C-276 Diaphragm and Nose
QS	Diamond coating
GV	Silicone Oil Fill. (Increases Thermal Shift) Consult factory, 600°F max
GX	Mineral Oil Fill. (Increases Thermal Shift) Consult factory, 600°F max
GZ	Customer Special
JA	100 ohm 3 wire RTD (models 430X, 431X only)
QB	Custom Nameplate
RIGID STEM (330X, 430X)	
GN	12.5" Rigid Stem
GO	9" Rigid Stem
HU	4" Rigid Stem
MU	Non-Standard Rigid Stem (Specify Length)
FLEX TUBING (331X, 431X, 18" Standard)	
GT	30" Armored Capillary Tube
HS	9" Armored Capillary Tube
HV	24" Armored Capillary Tube
HY	12" Armored Capillary Tube
MT	Non-Standard Flex Tube, (Specify Length)
SNOUT LENGTH	
MU	Non-Standard Snout Length, and or Flange (Specify Length)