



**MELT PRESSURE
TRANSDUCERS & TRANSMITTERS**
2770 Long Road, Grand Island, NY 14072 USA
Tel. (716)773-9300 • Fax (716)773-5019 • sales@gp50.com • www.gp50.com

Product Specification Sheet

PRESSURE TRANSDUCER / TRANSMITTER w/ HART COMMUNICATION

Models 330-QO, 331-QO, 335-QO /
330X, 331X, 335X / 330P, 331P, 335P with QO Option



***REFER TO APPENDIX A
FOR WIRING CODES***

FEATURES:

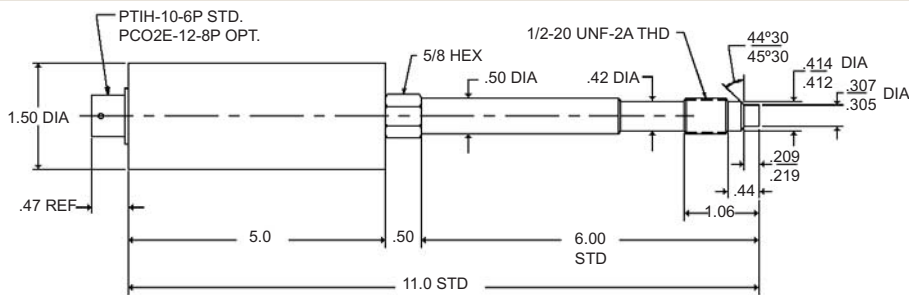
- All-welded stainless steel construction
- HART communication, compatible w/ HART communicator
- 3:1 Ranging
- Interchangeable with existing systems
- State-of-the-art circuitry allows heavier diaphragm & increased fatigue life
- FM Explosion Proof Available
(Class I, II, III, Division I, Groups A, B, C, D, E, F, G)

PRESSURE RANGES:

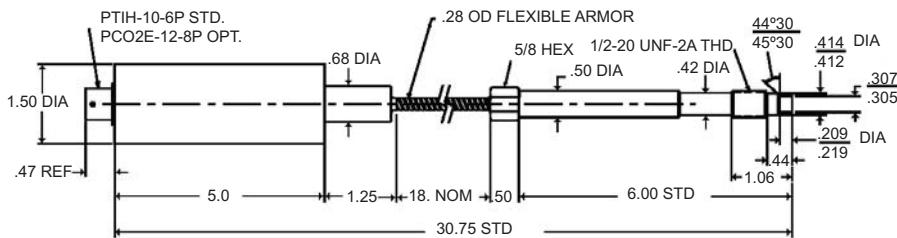
- From 0-500 through 0-30,000 psig

ACCURACY:

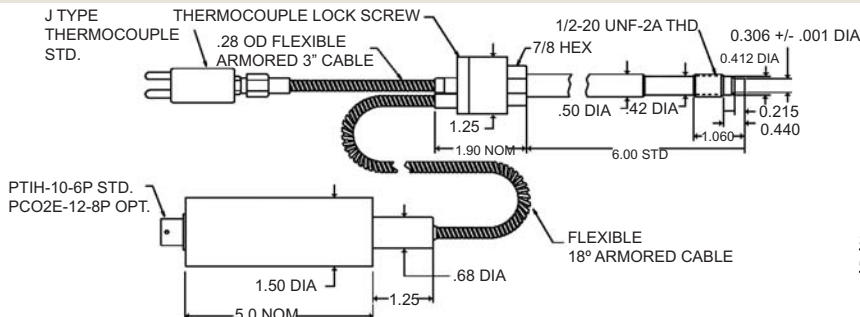
- $\pm 0.25\%$ FSO



MODEL 330



MODEL 331



MODEL 335

Some options will affect dimensions
Consult factory if important

GP:50 reserves the right to make product improvements and amendments to the product specifications stated throughout this brochure without prior notification. Please contact the factory on all critical dimensions and specifications for verification.



**MELT PRESSURE
TRANSDUCERS & TRANSMITTERS**

2770 Long Road, Grand Island, NY 14072 USA
Tel. (716) 773-9300 • Fax (716) 773-5019 • sales@gp50.com • www.gp50.com

Specifications reflect standard product, improved performance/mechanical options available. Modifications may alter specs, consult factory for more information.

Full Scale Output	4-20 mA ± 2% FSO	
Accuracy	Static Error Band (Non-linearity, Hysteresis, Non-repeatability) ± 0.25% FSO (RSS)	
Material in Contact with Pressure Media	15-5 PH stainless steel and hard chrome plated diaphragm surface (other options available, see ordering guide)	
Proof Pressure	2 times full scale pressure range or 35,000 psi, whichever is less	
Temperature Limits	Diaphragm 750°F (400°C)	Strain Gauge Housing 176°F (80°C)
Temperature Effects	Zero 15 psi/100°F	Span
From Diaphragm	Less than ± 1.0% FSO/100°F (± 2.0% FSO/100°C)	
From Strain Gauge Housing	Less than ± 1.0% FSO/100°F (± 2.0% FSO/100°C)	
Electricals	Excitation Voltage 9-36 Vdc	Output at 70° F 4-20 mA ±2% FSO
Load Impedance	50,000 ohms minimum. for less than 0.1%	
FSO attenuation	1350 ohms maximum, at 36 Vdc	
Zero Balance	4.0 mA ±5% FSO @ 70°F	
Connections	Pressure 1/2" - 20 UNF-2A	Electrical PTIH-10-6P, standard
Enclosed Materials	316 stainless steel	
Mounting Torque	500 inch pounds, maximum	

ORDERING GUIDE

Use the following codes to identify desired item.

MODEL	RANGE	OPTIONS
•	—	•/•/•

Example: 330-QO-RV-CF/GP

MODEL X - FM Explosion Proof

330-QO	4-20 mA HART
331-QO	4-20 mA HART
335-QO	4-20 mA HART
330X-QO	4-20 mA HART, Expl Prf
331X-QO	4-20 mA HART, Expl Prf
330P-QO	4-20 mA HART, CSA Expl Prf
331P-QO	4-20 mA HART, CSA Expl Prf

PRESSURE RANGE

(PSI)		(BAR)			
RH	500	RV	5000	UV	50
RJ	600	RX	7500	UX	75
RK	750	RZ	10000	UY	100
RM	1000	SB	15000	UZ	150
RO	1500	SD	20000 *	VA	200
RR	2000	SF	30000 *	VB	300
RS	2500	SZ	Other	VC	350
RT	3000			VD	500

* Not available on Models 330X, 331X, 330P, 331P

OPTIONS

AA None (standard connector PTIH-10-6P)
1/2" NPT (M) Thread with 72" Lead 330X, 331X / 330P, 331P

ALTERNATE CONNECTORS

CC Bendix PC02E-12-8P
CF 1/2" NPT(M) thread with 60" potted leads

ALTERNATE PRESSURE PORT

FB M18 X 1.5 Metric
FG M14 X 1.5 Metric
FZ * Non-Standard pressure port

GENERAL

GB Alternate Electronic Output - specify zero and span output values
GP Hastelloy C-276 Diaphragm and Thread
GQ Boron-Hardened diaphragm
GV Silicone Oil Fill. (Increases Thermal Shift) Consult factory
GX Mineral Oil Fill. (Increases Thermal Shift) Consult factor
JW Titanium Nitride-Coated Diaphragm & Threads
QJ * NaK Fill for 750° max applications
GW * NaK Fill with Inconel diaphragm and stem for 1000° max
QS Diamond Coating
GZ Customer Special
QB Custom Nameplate
GN 12 1/2" Rigid Stem
GO 9" Rigid Stem
HD 3" Rigid Stem
HJ 1 3/16" Rigid Stem
HT 24" Rigid Stem
MU Non-standard Rigid Stem

FLEX TUBING

GT 30" Armored Capillary Tube
HS 9" Armored Capillary Tube
HV 24" Armored Capillary Tube
HY 12" Armored Capillary Tube
MT Non-standard Armored Capillary Tube (50" max)