



LOW RANGE, HIGH LINE DIFFERENTIAL PRESSURE TRANSMITTER

Models 216, 316

FEATURES:

- Wet-wet DP measurement
- Full line pressure overload
- Small size
- Type 316 Stainless Steel All-welded construction
- NEMA-4 rated enclosure
- Attractively priced
- Zero and Span adjustment standard

PRESSURE RANGES:

- From 0-5 to 0-2000 in. wcd and 0-1 to 0-200psi
- Bi-Directional Output available upon request (See ordering guide)

LINE PRESSURE:

- 2000 psi standard, others available

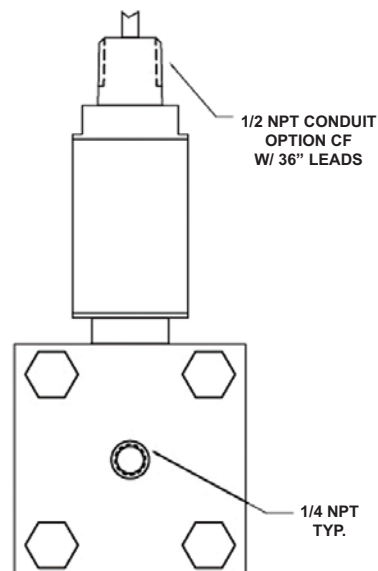
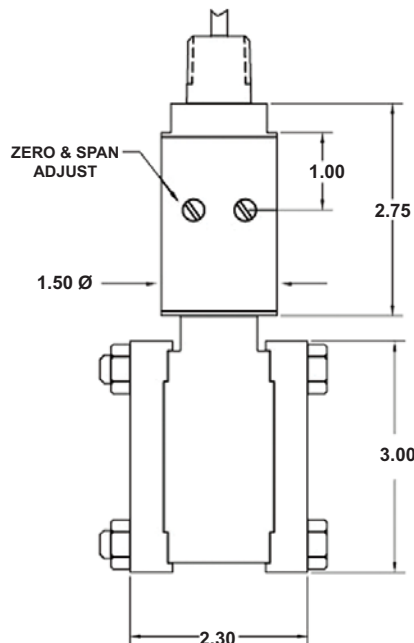
ACCURACY:

- To $\pm 0.1\%$ FSO (RSS)



WIRING CODE

	216	316
A/1 RED	+ EXC.	+ EXC./SIGNAL
B/2 GREEN	+ SIGNAL	NC
C/3 WHITE	NC	NC
D/4 BLACK	- EXC./SIGNAL	- EXC./SIGNAL
E/5 BLUE	NC	NC
F/6 BROWN	NC	NC
SHIELD	OPEN	OPEN



Some options will affect dimensions. Consult factory if important.

INDUSTRIAL GRADE

GP:50 reserves the right to make product improvements and amendments to the product specifications stated throughout this brochure without prior notification. Please contact the factory on all critical dimensions and specifications for verification.

A5SL-16.00 Rev A

