



# DIFFERENTIAL PRESSURE TRANSMITTER

**Models 115, 215, 315**

## FEATURES:

- Rugged, all welded, totally encapsulated electronics
- Leakproof. No O-ring construction
- Small size
- All Stainless Steel wetted parts
- Many easy-to-order options
- Base pressure to 10,000 psi (with option HM)

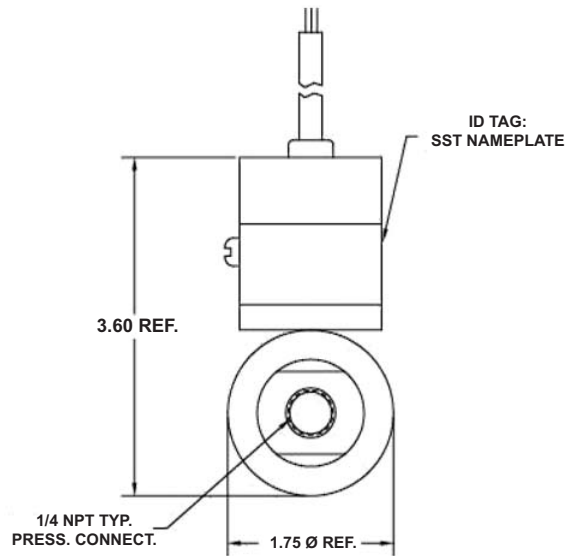
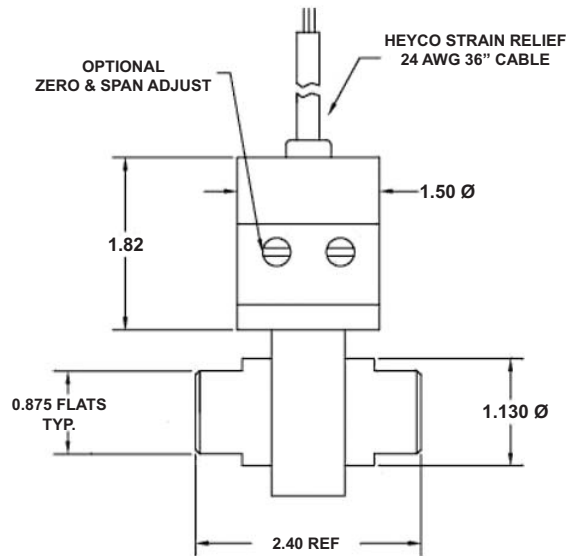
## PRESSURE RANGES:

- From 30 to 5000 psid
- From 2 to 300 bar
- (Bi-directional available see ordering guide.)



(Shown with "315X" + "HM" option)

INDUSTRIAL GRADE



Some options will affect dimensions. Consult factory if important.

## WIRING CODE

Some connector options will affect wiring.

	115	215	315
A/1 RED	+ EXCIT.	+ EXCIT.	+ EXCIT./SIGNAL
B/2 GREEN	+ SIGNAL	+ SIGNAL	NC
C/3 WHITE	- SIGNAL	NC	NC
D/4 BLACK	- EXCIT.	- EXCIT./SIGNAL	- EXCIT./SIGNAL
E/5 BLUE	NC OPTION GH	NC OPTION GH	NC OPTION GH
F/6 BROWN	NC OPTION GH	NC OPTION GH	NC OPTION GH
SHIELD	OPEN	OPEN	OPEN

GP:50 reserves the right to make product improvements and amendments to the product specifications stated throughout this brochure without prior notification. Please contact the factory on all critical dimensions and specifications for verification.

A5SL-15.00 Rev B

