



**MELT PRESSURE
TRANSDUCERS & TRANSMITTERS**

300 Industrial Drive, Grand Island, NY 14072 USA
Tel. (716)775-8830 • Fax (716)775-8020 • sales@gp50.com • www.gp50.com

Product Specification Sheet

DIGITAL INDICATOR

Model 1260

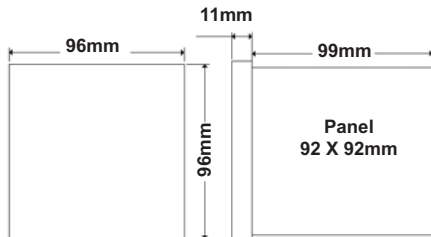
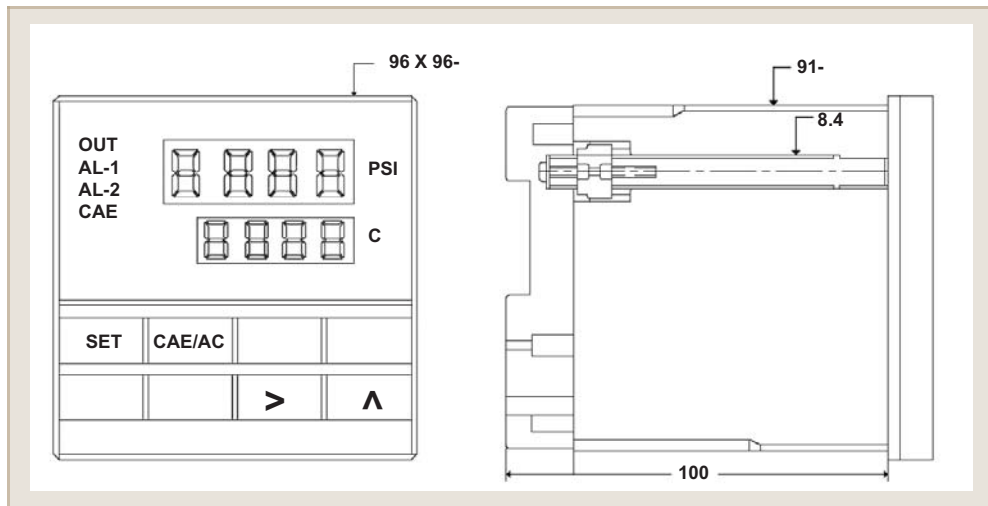
The 1260 process indicator is designed with an easy to use programmable faceplate and displays for two processes, making it the ideal solution for those who need to monitor both temperature and melt pressure on one instrument.



SPECIFICATIONS:

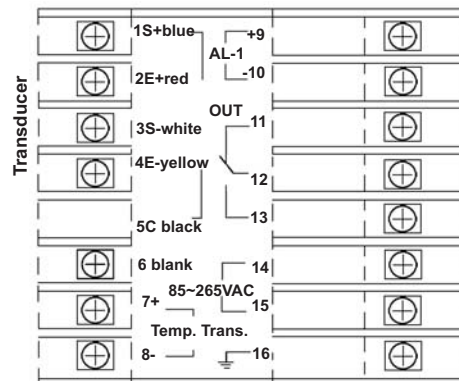
- Temperature and pressure double 4-digit LED display
- Ranges 0.100-9999 psi (Radix point changeable)
- 0.001 display resolving Frequency
- 85-265 VAC excitation
- 92 x 92 mm
- Operating range 0-55°C

Pressure or temperature with pressure upstream and downstream programmable alarms, and RS232, RS485 serial communication. Pressure or temperature programmable analog output: 4-20 mA, 1-5 Vdc, 0-5 Vdc, 0-10 Vdc, Type J or K thermocouple.



WIRING CODE

- | | |
|-------|---------------------------|
| 1 | SIGNAL +(BLUE) |
| 2 | EXC. - (RED) |
| 3 | CALIBRATE (BLACK) |
| 4 | EXC. - (YELLOW) |
| 5 | CALIBRATE (BLACK) |
| 6 | BLANK |
| 7 | TEMP. (INPUT) + |
| 8 | TEMP. (INPUT) - |
| 9 | AL-1 + |
| 10 | AL-1 - |
| 11/12 | OUT ON |
| 12/13 | OUT OFF |
| 14/15 | ALTERNATING CURRENT INPUT |
| 16 | GROUND |



GP:50 reserves the right to make product improvements and amendments to the product specifications stated throughout this brochure without prior notification. Please contact the factory on all critical dimensions and specifications for verification.



**MELT PRESSURE
TRANSDUCERS & TRANSMITTERS**

300 Industrial Drive, Grand Island, NY 14072 USA
Tel. (716)775-8830 • Fax (716)775-8020 • sales@gp50.com • www.gp50.com

OPERATING FLOW CHART

